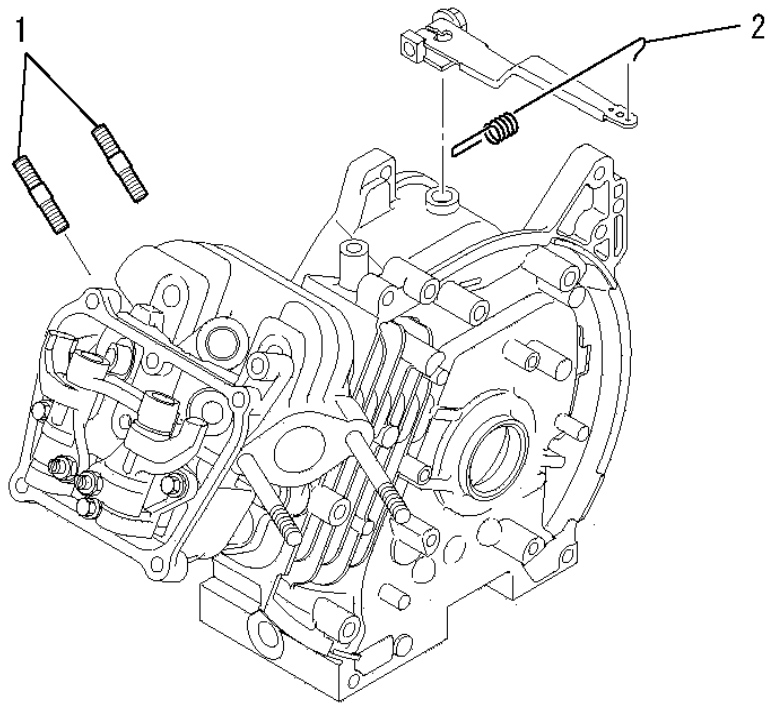
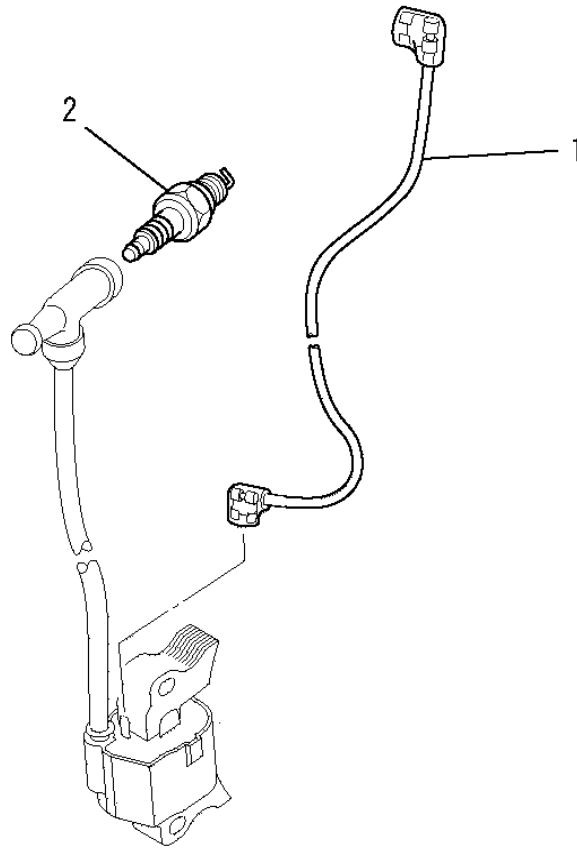


1. BOLT, SPRING, COVER



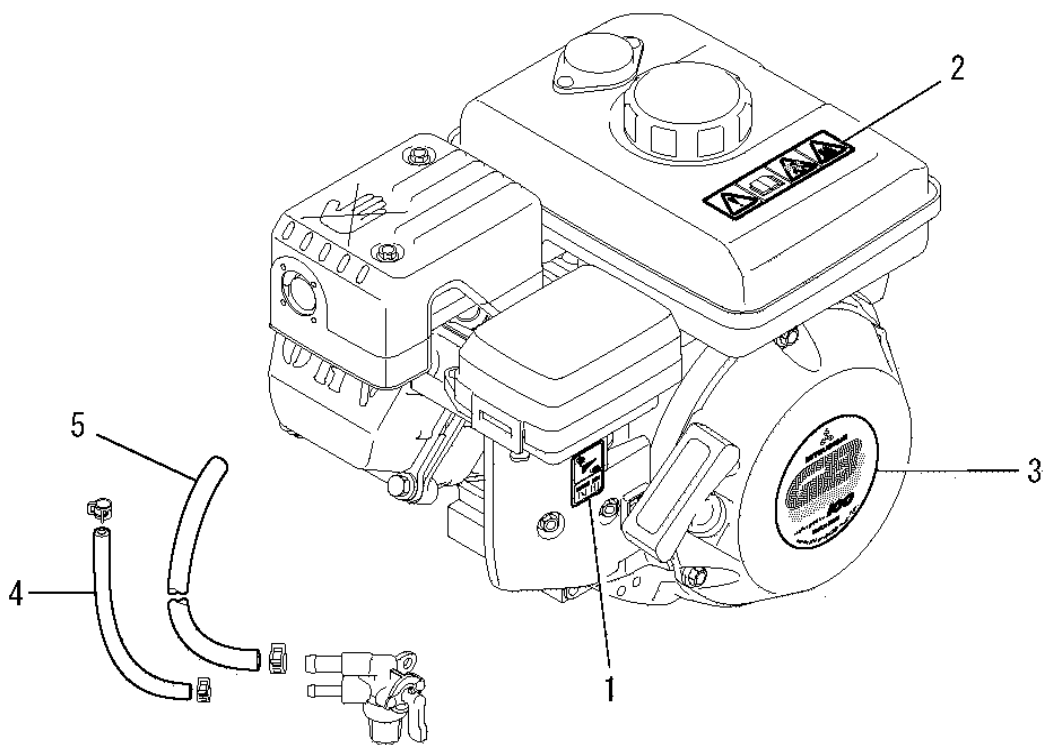
| No. | R/N | Parts No. | Parts Name | No. Req'd | Inte | Remarks | Serial No. (From~To) |
|-----|-----|-------------|-------------|-----------|------|---------|----------------------|
| 1 | | B155B08X020 | BOLT, STUD | 2 | | | |
| 2 | | KG34046AB | SPRING, GOV | 1 | | | |

2. LEAD WIRE, PLUG, CAP



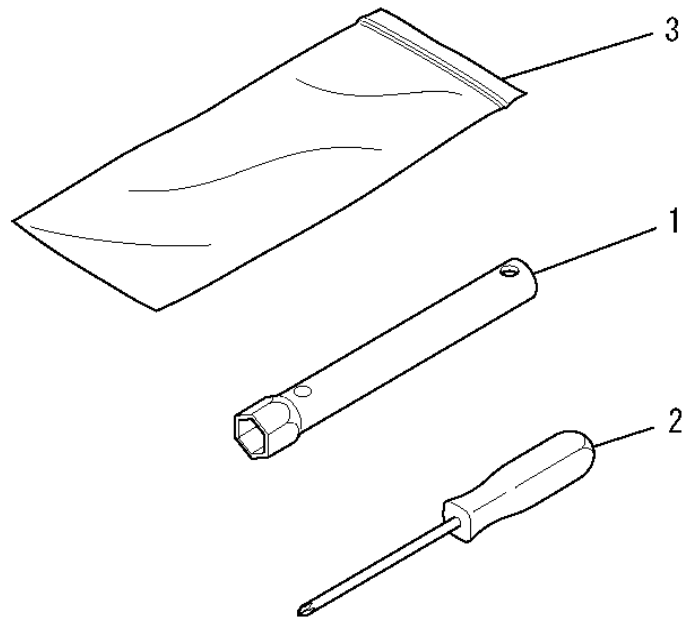
| No. | R/N | Parts No. | Parts Name | No. Req'd | Inte | Remarks | Serial No. (From~To) |
|-----|-----|-----------|-------------|-----------|------|---------|----------------------|
| 1 | | KE90177BA | WIRE, LEAD | 1 | | | |
| 2 | | FA21273 | PLUG, SPARK | 1 | | BP6HS | |

3. LABEL, FUEL HOSE



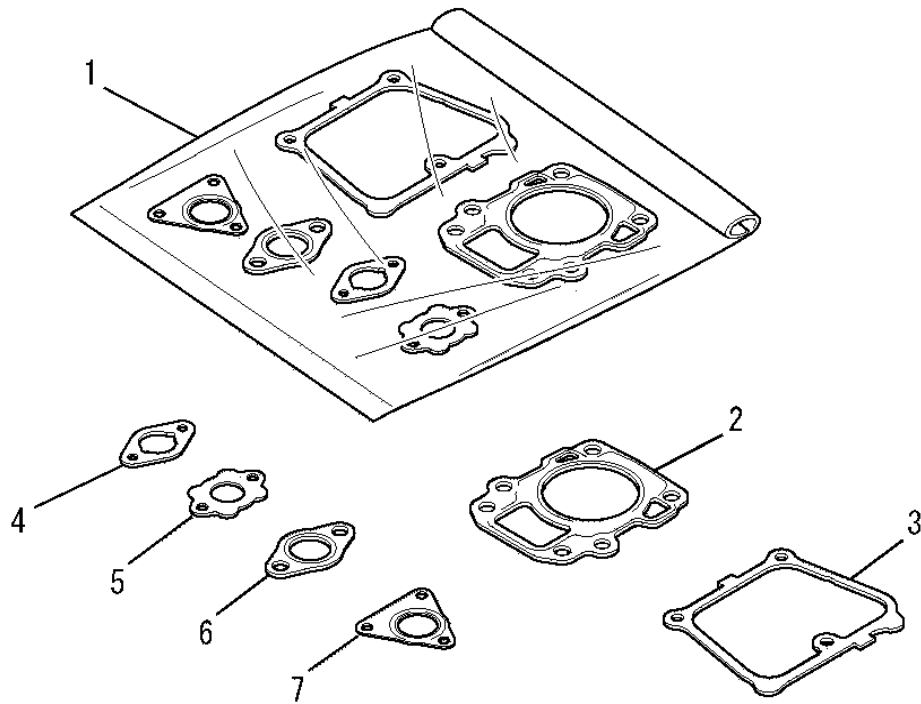
| No. | R/N | Parts No. | Parts Name | No. Req'd | Inte | Remarks | Serial No. (From~To) |
|-----|-----|-------------|----------------|-----------|------|---------|----------------------|
| 1 | | KW56257BA | LABEL | 1 | | | |
| 2 | | KW55086AA | LABEL, CAUTION | 1 | | | |
| 3 | | KW56259AA | LABEL, NAME | 1 | | | |
| 4 | | P051Y04X135 | HOSE, FUEL | 1 | | | |
| 5 | | P051Y08X330 | HOSE, FUEL | 1 | | | |

4. TOOL SET



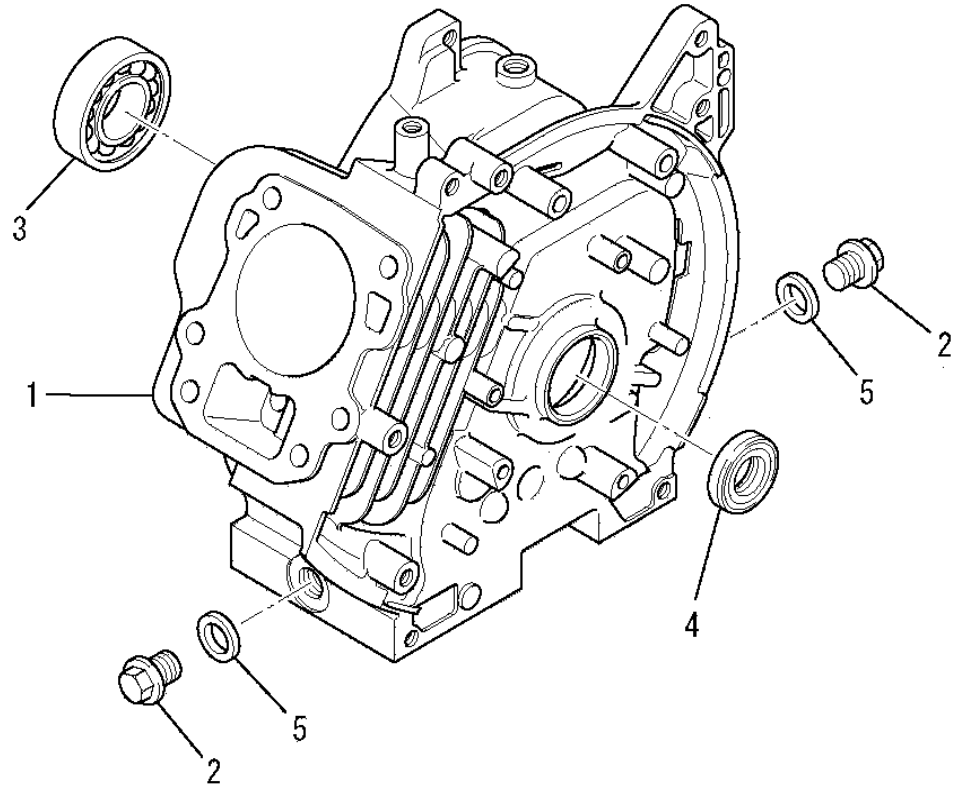
| No. | R/N | Parts No. | Parts Name | No. Req'd | Inte | Remarks | Serial No. (From~To) |
|-----|-----|-----------|---------------|-----------|------|---------|----------------------|
| 1 | | KN12007AA | SPANNER, BOX | 1 | | | |
| 2 | | KN13002AA | DRIVER, SCREW | 1 | | | |
| 3 | | KN15001AA | BAG, TOOL | 1 | | | |

5. GASKET SET



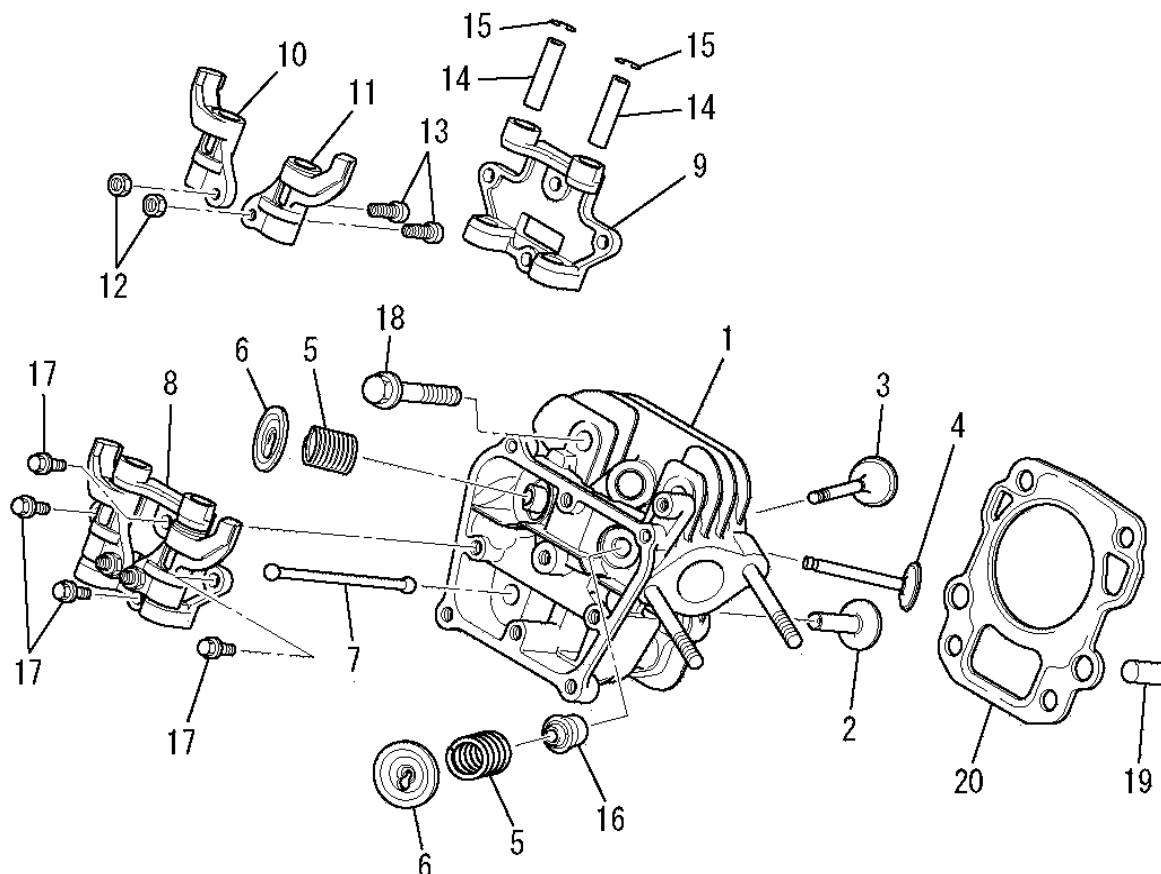
| No. | R/N | Parts No. | Parts Name | No. Req'd | Inte | Remarks | Serial No. (From~To) |
|-----|-----|-----------|--------------------|-----------|------|---------------|----------------------|
| 1 | | KW39096AA | GASKET SET | 1 | | INCL. NO. 2-7 | |
| 2 | | KC65003AA | GASKET, HEAD | 1 | | | |
| 3 | | KW33016AA | GASKET, HEAD COVER | 1 | | | |
| 4 | | KW34029AA | GASKET, CARBURETOR | 1 | | | |
| 5 | | KW34077AA | GASKET, CARBURETOR | 1 | | | |
| 6 | | KM70040AA | GASKET, MUFFLER | 1 | | | |
| 7 | | KM70064AA | GASKET, MUFFLER | 1 | | | |

(A) CYLINDER BLOCK GROUP



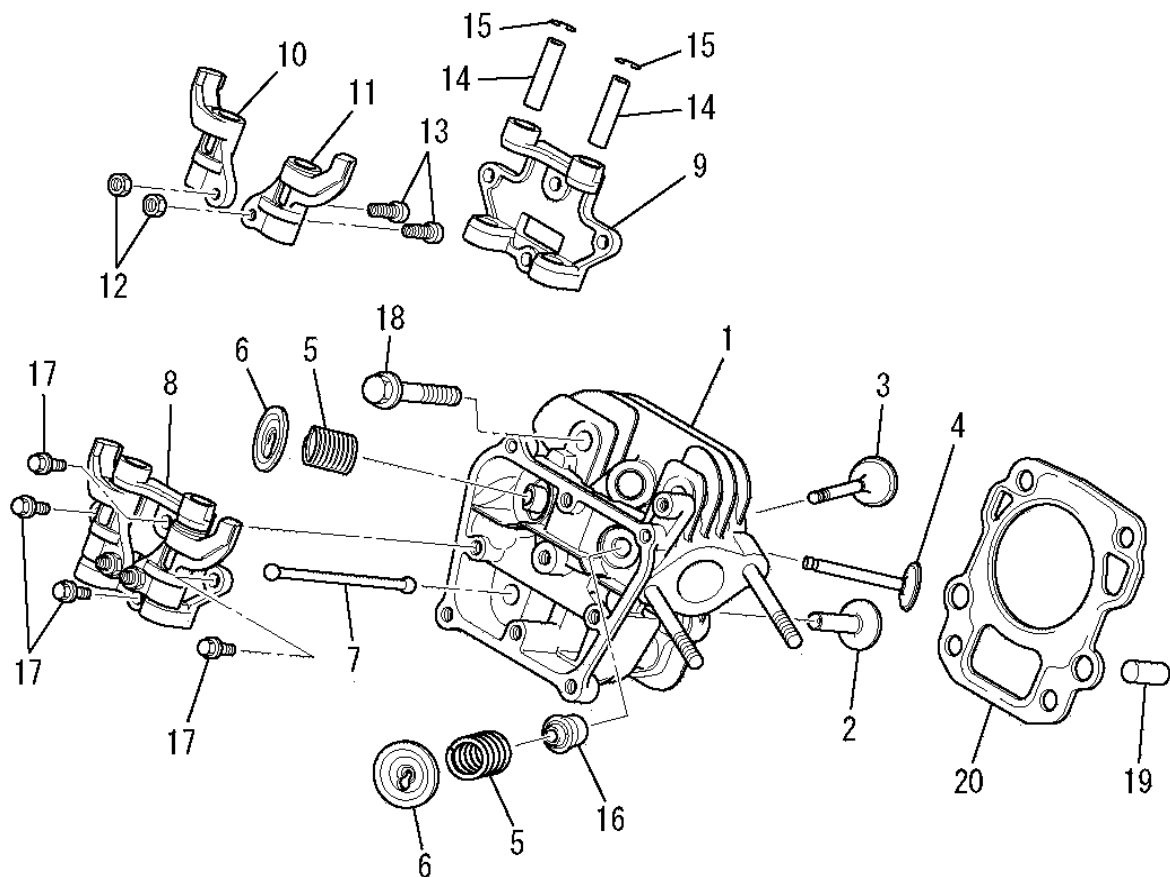
| No. | R/N | Parts No. | Parts Name | No. Req'd | Inte | Remarks | Serial No. (From~To) |
|-----|-----|-----------|----------------|-----------|------|---------|----------------------|
| 1 | | KB41006AA | CYLINDER BLOCK | 1 | | | |
| 2 | | FN11223 | PLUG, DRAIN | 2 | | | |
| 3 | | FN15746 | BEARING, BALL | 1 | | | |
| 4 | | FR41845 | OIL SEAL | 1 | | | |
| 5 | | ZZ70013A | GASKET | 2 | | | |

(B) CYLINDER HEAD GROUP



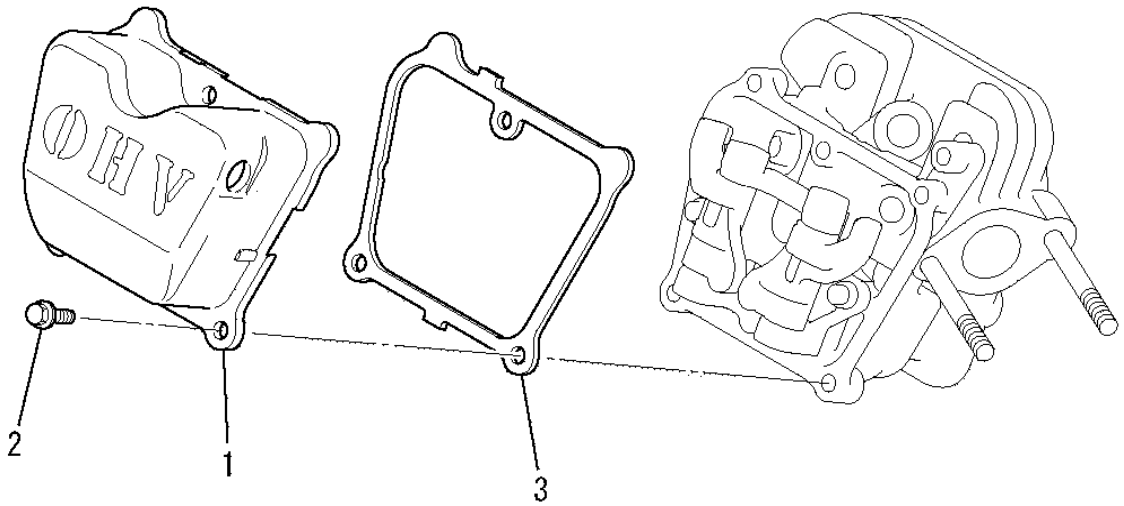
| No. | R/N | Parts No. | Parts Name | No. Req'd | Inte | Remarks | Serial No. (From~To) |
|-----|-----|-----------|---------------------|-----------|------|------------------|----------------------|
| 1 | | KC02059AA | CYLINDER HEAD ASSY | 1 | | WITH B155B06X080 | |
| 2 | | KV24009AA | TAPPET | 2 | | | |
| 3 | | KV33005AA | VALVE, INTAKE | 1 | | | |
| 4 | | KV42002AA | VALVE, EXHAUST | 1 | | | |
| 5 | | KV55010AA | SPRING, VALVE | 2 | | | |
| 6 | | KV64002AA | RETAINER, VALVE SPG | 2 | | | |
| 7 | | KV71013AA | ROD, PUSH | 2 | | | |
| 8 | | KV02005AA | ROCKER ARM ASSY | 1 | | INCL. NO. 9-15 | |
| 9 | | KV74009AA | PLATE | 1 | | | |
| 10 | | KV72012AA | ARM, ROCKER | 1 | | | |
| 11 | | KV72013AA | ARM, ROCKER | 1 | | | |
| 12 | | KU23013AA | NUT | 2 | | | |

(B) CYLINDER HEAD GROUP



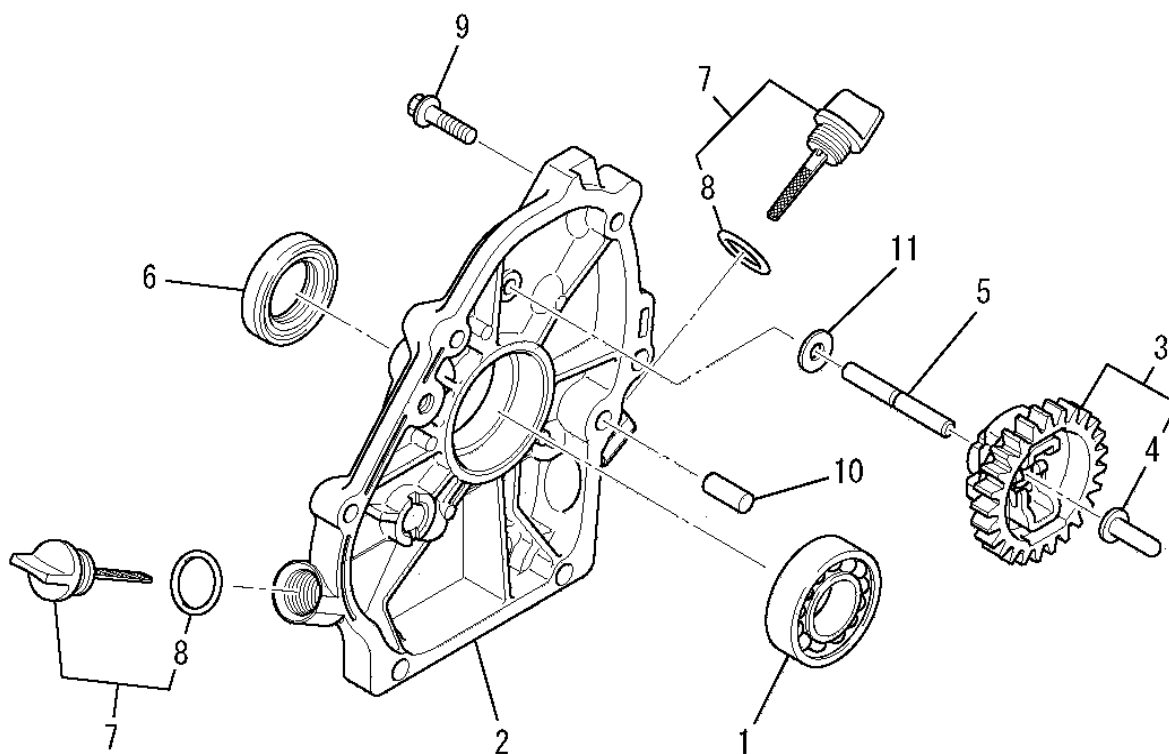
| No. | R/N | Parts No. | Parts Name | No. Req'd | Inte | Remarks | Serial No. (From~To) |
|-----|-----|-------------|------------------|-----------|------|---------|----------------------|
| 13 | | KV73004AA | SCREW, ADJUST | 2 | | | |
| 14 | | KV75009BA | SHAFT | 2 | | | |
| 15 | | FR34111 | CLIP, PISTON PIN | 2 | | | |
| 16 | | KW21023AA | SEAL, VALVE STEM | 1 | | | |
| 17 | | B800A06X016 | BOLT, FLANGE | 4 | | | |
| 18 | | B800B08X055 | BOLT, FLANGE | 4 | | | |
| 19 | | KU44001AA | PIN, DOWEL | 2 | | | |
| 20 | | KC65003AA | GASKET, HEAD | 1 | | | |

(C) HEAD COVER GROUP



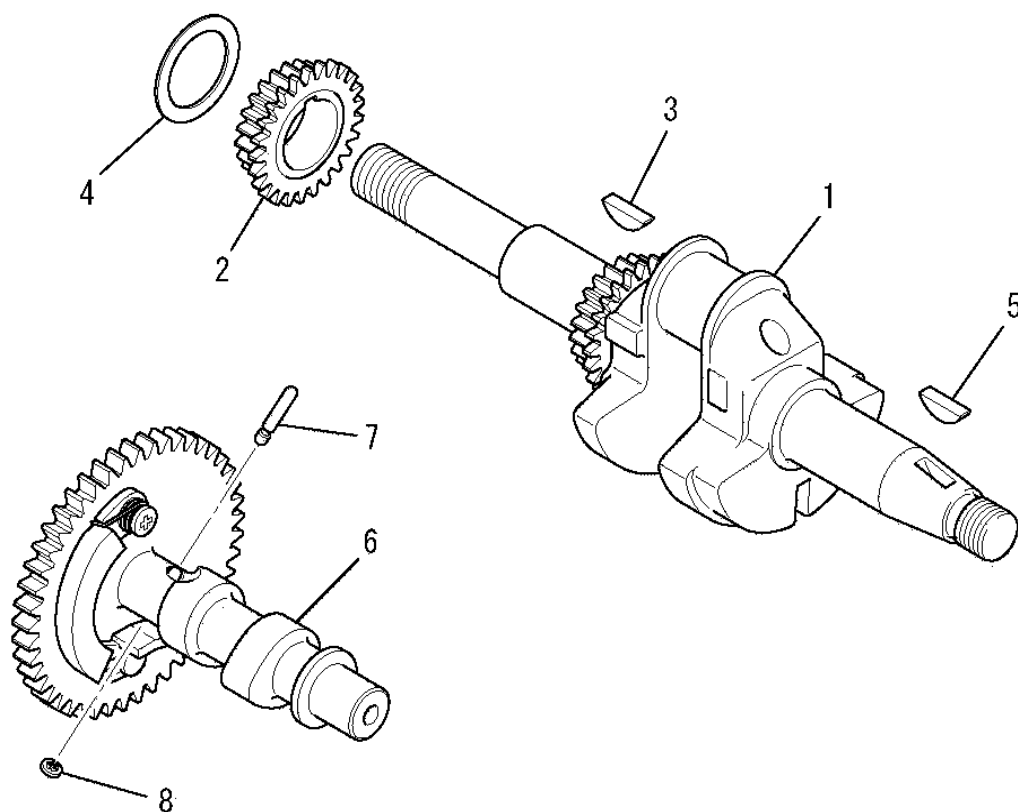
| No. | R/N | Parts No. | Parts Name | No. Req'd | Inte | Remarks | Serial No. (From~To) |
|-----|-----|-------------|--------------------|-----------|------|---------|----------------------|
| 1 | | KC09015AA | HEAD COVER ASSY | 1 | | | |
| 2 | | B805B06X012 | BOLT, FLANGE | 3 | | | |
| 3 | | KW33016AA | GASKET, HEAD COVER | 1 | | | |

(D) CASE COVER GROUP



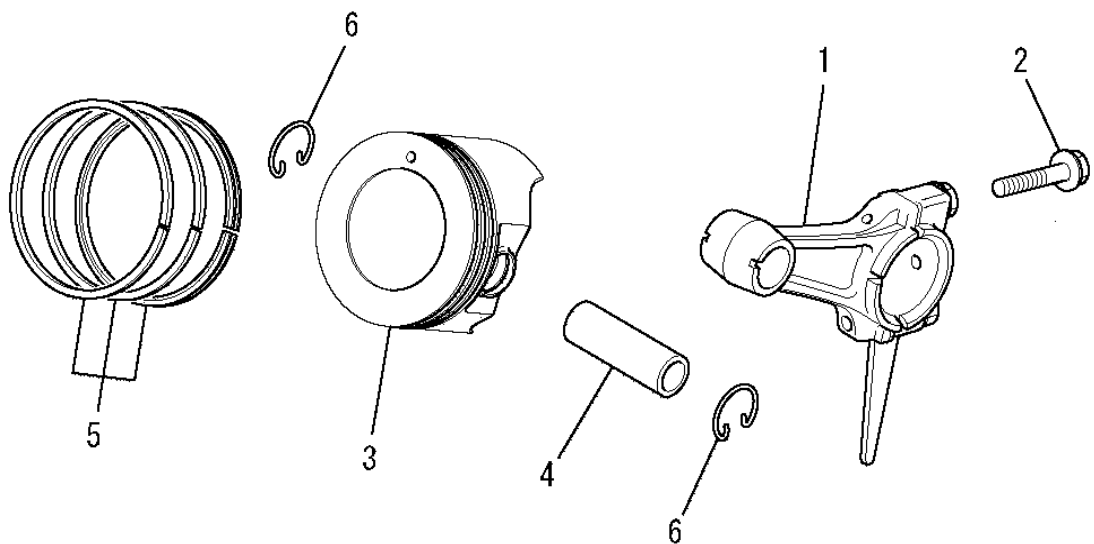
| No. | R/N | Parts No. | Parts Name | No. Req'd | Inte | Remarks | Serial No. (From~To) |
|-----|-----|-------------|--------------------|-----------|------|-------------|----------------------|
| 1 | | FN15746 | BEARING, BALL | 1 | | | |
| 2 | | KB61008FA | COVER, CRANKCASE | 1 | | | |
| 3 | | KG01007AA | GOVERNOR GEAR ASSY | 1 | | INCL. NO. 4 | |
| 4 | | KG14006AA | SLIDER, GOV | 1 | | | |
| 5 | | KG22004AA | SHAFT, GOV | 1 | | | |
| 6 | | KW23002AA | OIL SEAL | 1 | | | |
| 7 | | KL21006EA | GAUGE, OIL | 2 | | INCL. NO. 8 | |
| 8 | | KW23003AA | O-RING | 2 | | | |
| 9 | | B800B06X025 | BOLT, FLANGE | 6 | | | |
| 10 | | KU44001AA | PIN, DOWEL | 2 | | | |
| 11 | | W200H06 | WASHER | 1 | | | |

(E) CRANKSHAFT GROUP



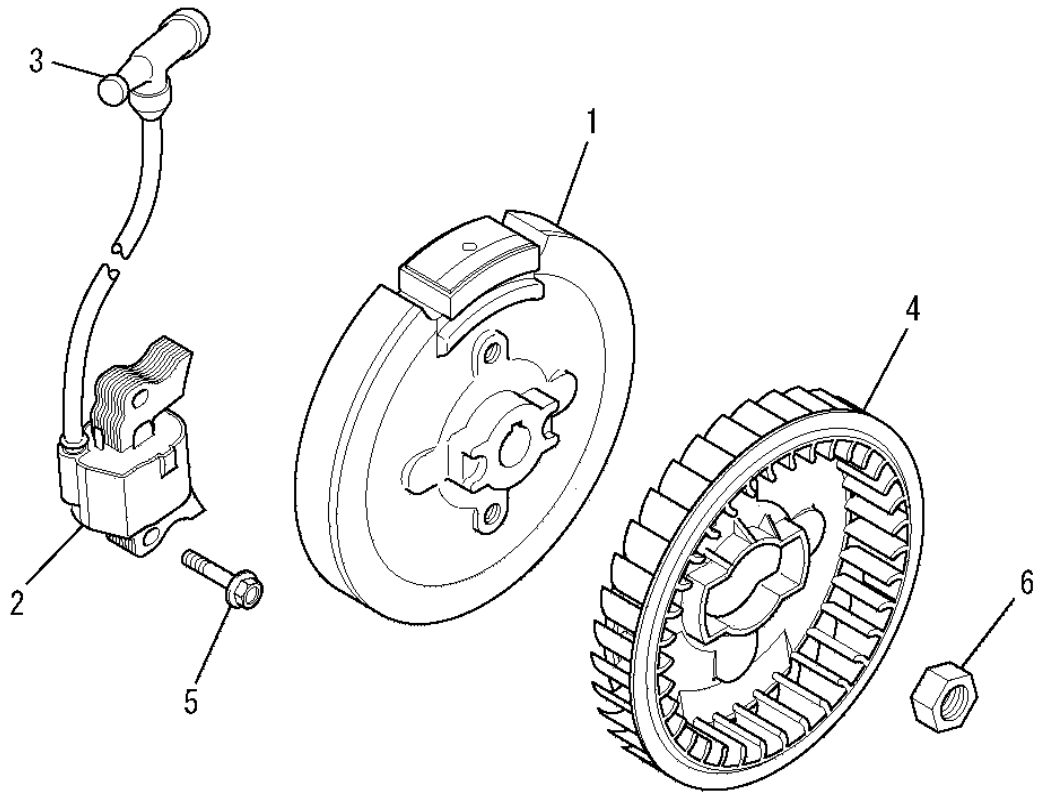
| No. | R/N | Parts No. | Parts Name | No. Req'd | Inte | Remarks | Serial No. (From~To) |
|-----|-----|-----------|------------------|-----------|------|----------------|----------------------|
| 1 | | KD02069JA | CRANKSHAFT ASSY | 1 | | INCL. NO. 2, 3 | |
| 2 | | KD06002AA | GEAR, CRANKSHAFT | 1 | | | |
| 3 | | KD90016AA | KEY, WOODRUFF | 1 | | | |
| 4 | | KU39008BA | SHIM | 1 | | | |
| 5 | | KD90016AA | KEY, WOODRUFF | 1 | | | |
| 6 | | KV01206AA | CAMSHAFT ASSY | 1 | | INCL. NO. 7, 8 | |
| 7 | | KV83009AC | PIN | 1 | | | |
| 8 | | S500P03 | SNAP RING | 1 | | | |

(F) PISTON & ROD GROUP



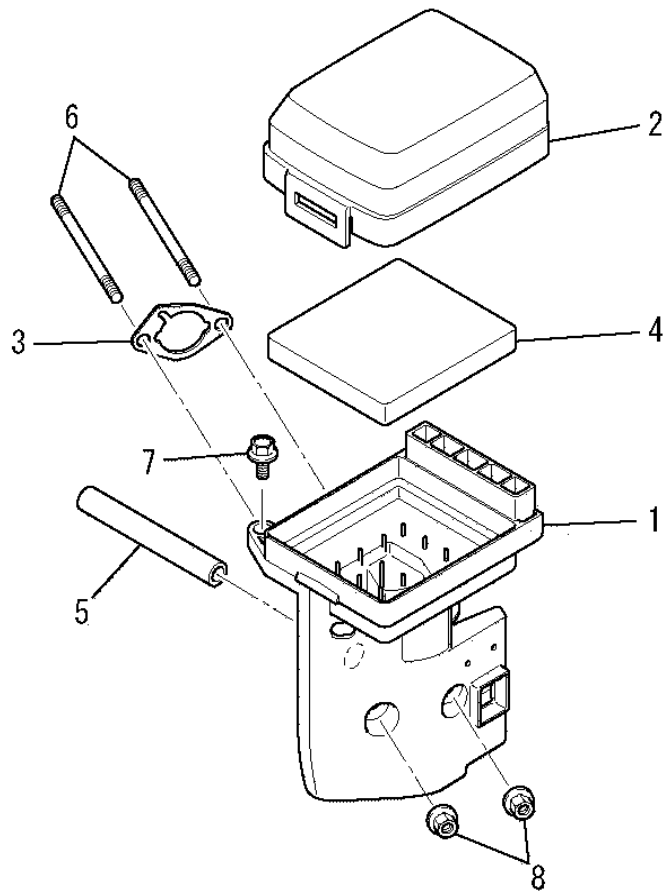
| No. | R/N | Parts No. | Parts Name | No. Req'd | Inte | Remarks | Serial No. (From~To) |
|-----|-----|-------------|---------------------|-----------|------|---------------------|----------------------|
| 1 | | KD03025AA | CONNECTING ROD ASSY | 1 | | STD INCL. NO. 2 | |
| 1 | 1 | KD03025BA | CONNECTING ROD ASSY | 1 | | US 0.25 INCL. NO. 2 | |
| 1 | 2 | KD03025CA | CONNECTING ROD ASSY | 1 | | US 0.50 INCL. NO. 2 | |
| 2 | | B800B06X025 | BOLT, FLANGE | 2 | | | |
| 3 | | KP15006AA | PISTON | 1 | | STD | |
| 3 | 1 | KP15006BA | PISTON | 1 | | OS 0.25 | |
| 3 | 2 | KP15006CA | PISTON | 1 | | OS 0.50 | |
| 4 | | KP55006AA | PIN, PISTON | 1 | | | |
| 5 | | KP02018AA | PISTON RING SET | 1 | | STD | |
| 5 | 1 | KP02018BA | PISTON RING SET | 1 | | OS 0.25 | |
| 5 | 2 | KP02018CA | PISTON RING SET | 1 | | OS 0.50 | |
| 6 | | KP90002AA | CLIP, PISTON PIN | 2 | | | |

(G) MAGNETO GROUP



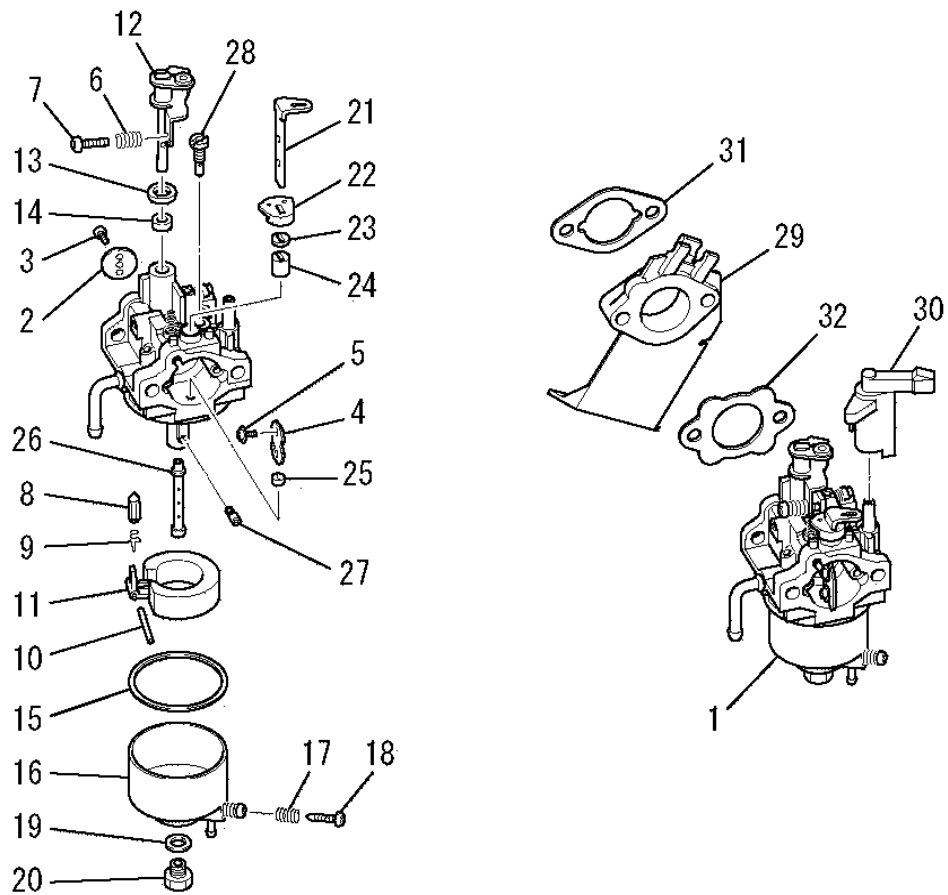
| No. | R/N | Parts No. | Parts Name | No. Req'd | Inte | Remarks | Serial No. (From~To) |
|-----|-----|-------------|----------------|-----------|------|---------|----------------------|
| 1 | | KE12030AA | FLYWHEEL | 1 | | | |
| 2 | | KE24021AA | COIL, IGNITION | 1 | | | |
| 3 | | KE42037AA | CAP, PLUG | 1 | | | |
| 4 | | KE90241AA | FAN | 1 | | | |
| 5 | | B805B06X025 | BOLT, FLANGE | 2 | | | |
| 6 | | FR41231 | NUT | 1 | | | |

(H) AIR CLEANER GROUP



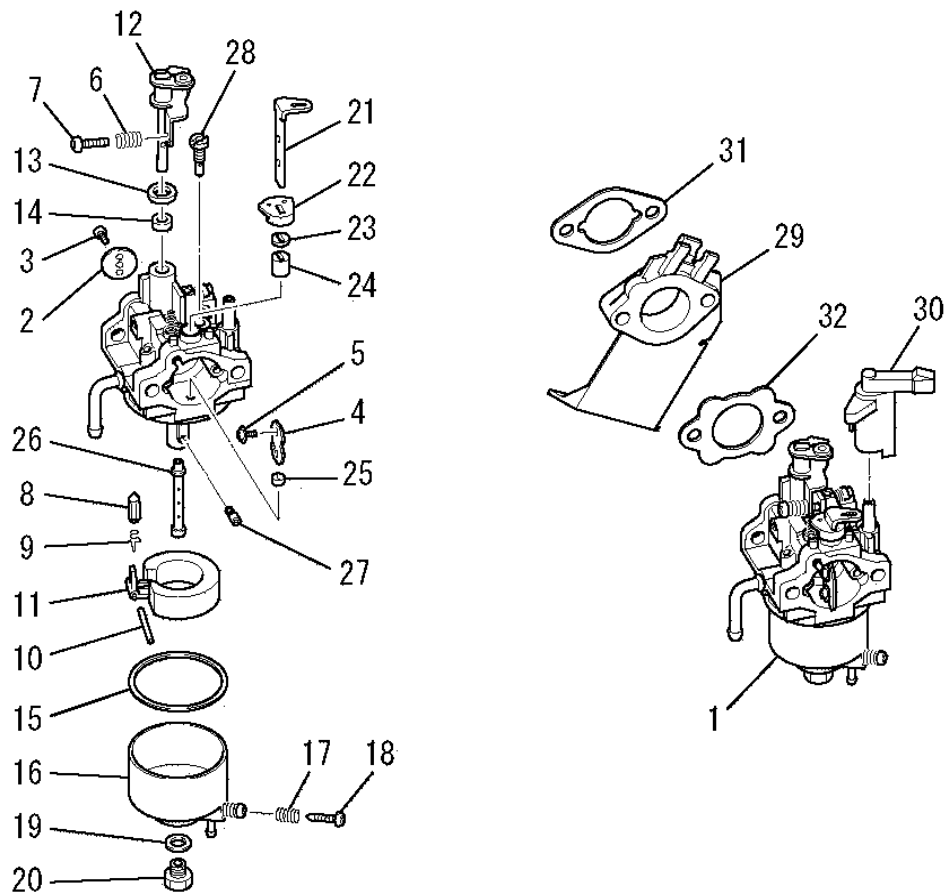
| No. | R/N | Parts No. | Parts Name | No. Req'd | Inte | Remarks | Serial No. (From~To) |
|-----|-----|--------------|------------------|-----------|------|---------|----------------------|
| 1 | | KA01091AA001 | CASE, CLEANER | 1 | | | |
| 2 | | KA01091AA002 | COVER, CLEANER | 1 | | | |
| 3 | | KA01091AA003 | PACKING | 1 | | | |
| 4 | | KA01091AA004 | ELEMENT, CLEANER | 1 | | | |
| 5 | | ZZ70002R | TUBE, BREATHER | 1 | | | |
| 6 | | B155B06X080 | BOLT, STUD | 2 | | | |
| 7 | | B800A06X020 | BOLT, FLANGE | 1 | | | |
| 8 | | N801A06 | NUT, FLANGE | 2 | | | |

(I) CARBURETOR GROUP



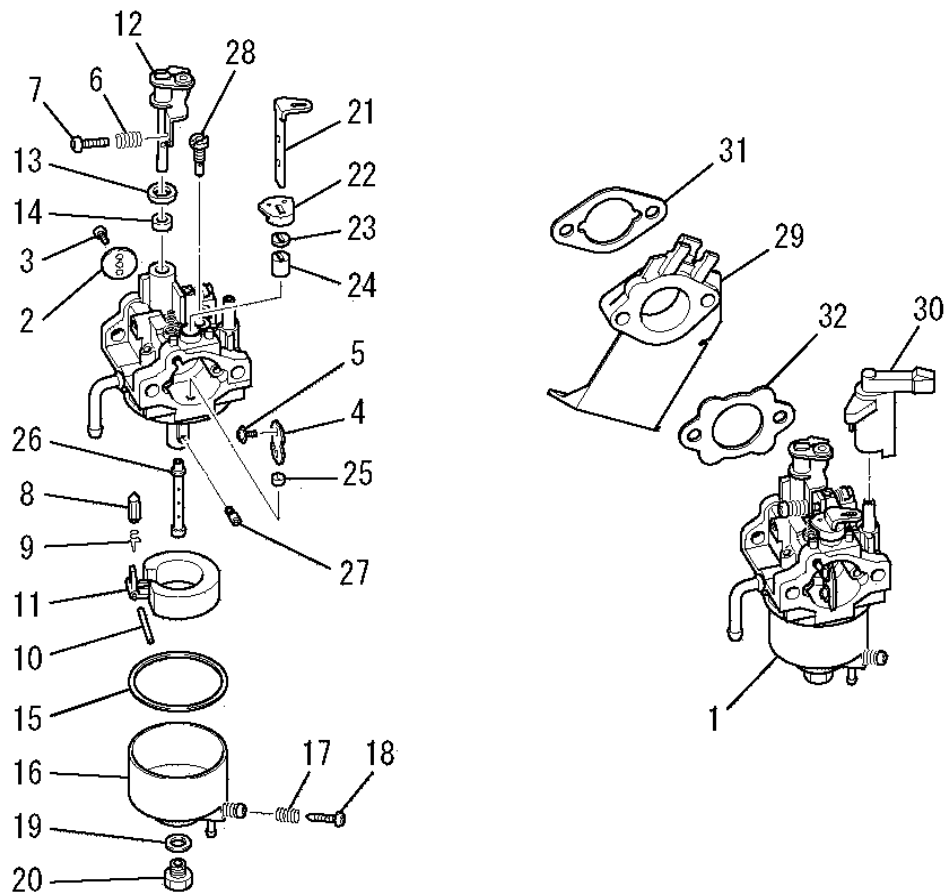
| No. | R/N | Parts No. | Parts Name | No. Req'd | Inte | Remarks | Serial No. (From~To) |
|-----|-----|--------------|-----------------|-----------|------|----------------|----------------------|
| 1 | | KK12046AA | CARBURETOR (F) | 1 | | INCL. NO. 2-28 | |
| 2 | | KK12046AA002 | VALVE, THROTTLE | 1 | | | |
| 3 | | KK15016AA003 | SCREW | 2 | | | |
| 4 | | KK12046AA004 | VALVE, CHOKE | 1 | | | |
| 5 | | KK15016AA005 | SCREW | 2 | | | |
| 6 | | KK12046AA009 | SPRING | 1 | | | |
| 7 | | KK12046AA010 | SCREW | 1 | | | |
| 8 | | KK11011FF100 | VALVE, NEEDLE | 1 | | | |
| 9 | | KK12008AE011 | CLIP | 1 | | | |
| 10 | | KK12008AE012 | PIN | 1 | | | |
| 11 | | KK12008AE013 | FLOAT | 1 | | | |
| 12 | | KK12046AA015 | SHAFT, THROTTLE | 1 | | | |

(I) CARBURETOR GROUP



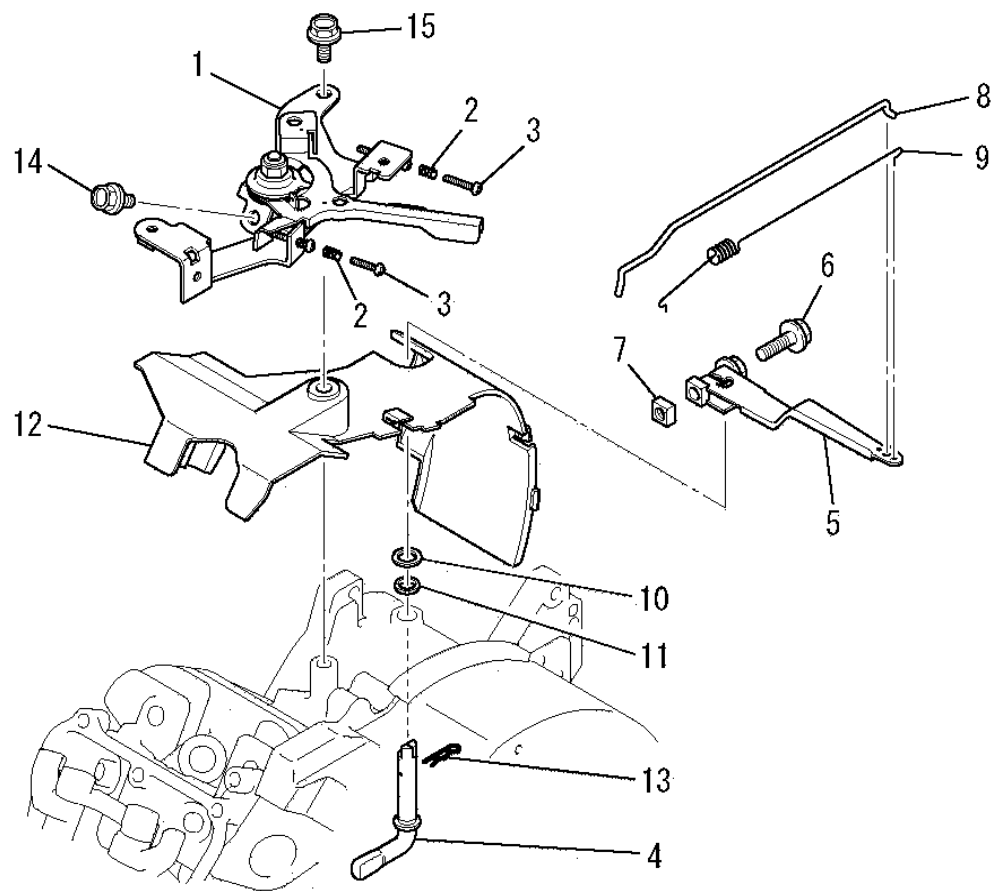
| No. | R/N | Parts No. | Parts Name | No. Req'd | Inte | Remarks | Serial No. (From~To) |
|-----|-----|--------------|----------------|-----------|------|------------------|----------------------|
| 13 | | KK12008AE015 | PACKING | 1 | | | |
| 14 | | KK12008AE016 | SEAL | 1 | | | |
| 15 | | KK14001AA018 | GASKET | 1 | | | |
| 16 | | KK12008AE023 | CHAMBER, FLOAT | 1 | | INCL. NO. 17, 18 | |
| 17 | | FA27080XX003 | SPRING | 1 | | | |
| 18 | | KK12008AE029 | SCREW | 1 | | | |
| 19 | | KK12008AE026 | PACKING | 1 | | | |
| 20 | | KK12008AE027 | BOLT | 1 | | | |
| 21 | | KK12046AA022 | LEVER, CHOKE | 1 | | | |
| 22 | | KK12008AE018 | RING | 1 | | | |
| 23 | | KK12008AE019 | SEAL | 1 | | | |
| 24 | | KK12008AE020 | RING | 1 | | | |

(I) CARBURETOR GROUP



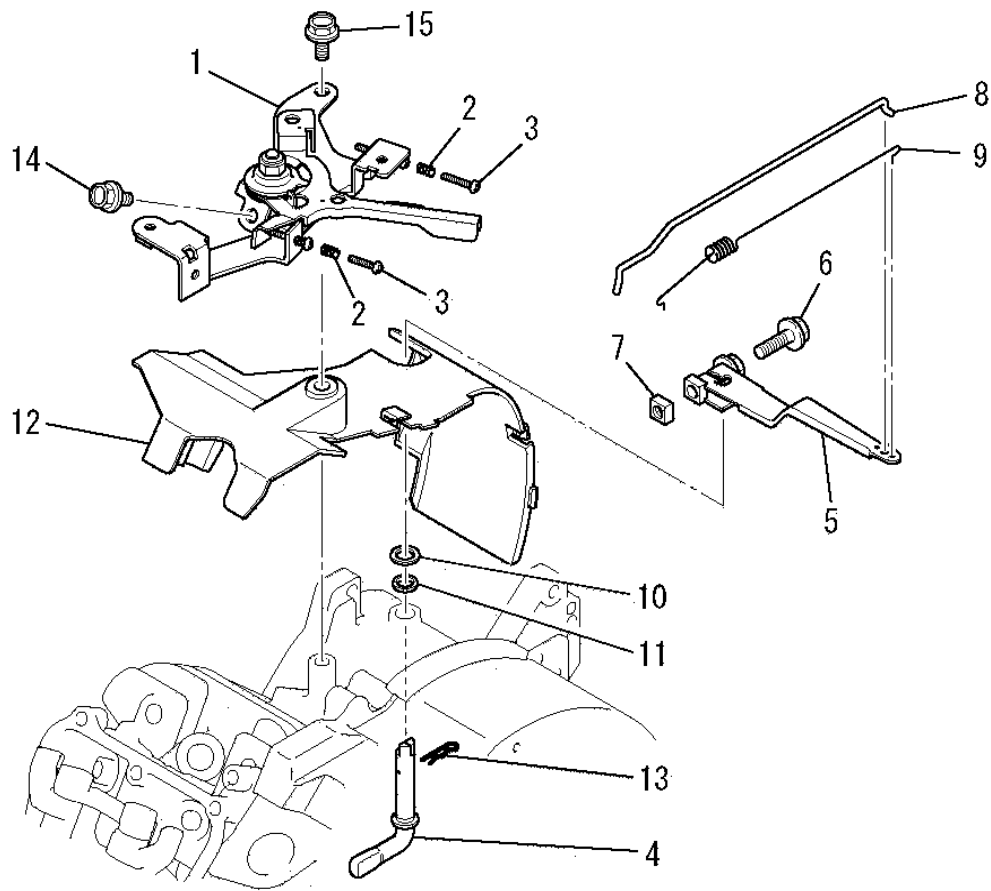
| No. | R/N | Parts No. | Parts Name | No. Req'd | Inte | Remarks | Serial No. (From~To) |
|-----|-----|--------------|--------------------|-----------|------|---------|----------------------|
| 25 | | KK12008AE021 | RING | 1 | | | |
| 26 | | KK12046AA027 | NOZZLE, MAIN | 1 | | | |
| 27 | | KK12046AA028 | JET, MAIN | 1 | | | |
| 28 | | KK74508AA375 | JET, PILOT | 1 | | | |
| 29 | | KK32006AA | INSULATOR | 1 | | | |
| 30 | | KK90058AA | LEVER, CHOKE | 1 | | | |
| 31 | | KW34029AA | GASKET, CARBURETOR | 1 | | | |
| 32 | | KW34077AA | GASKET, CARBURETOR | 1 | | | |

(J) CONTROL PANEL GROUP



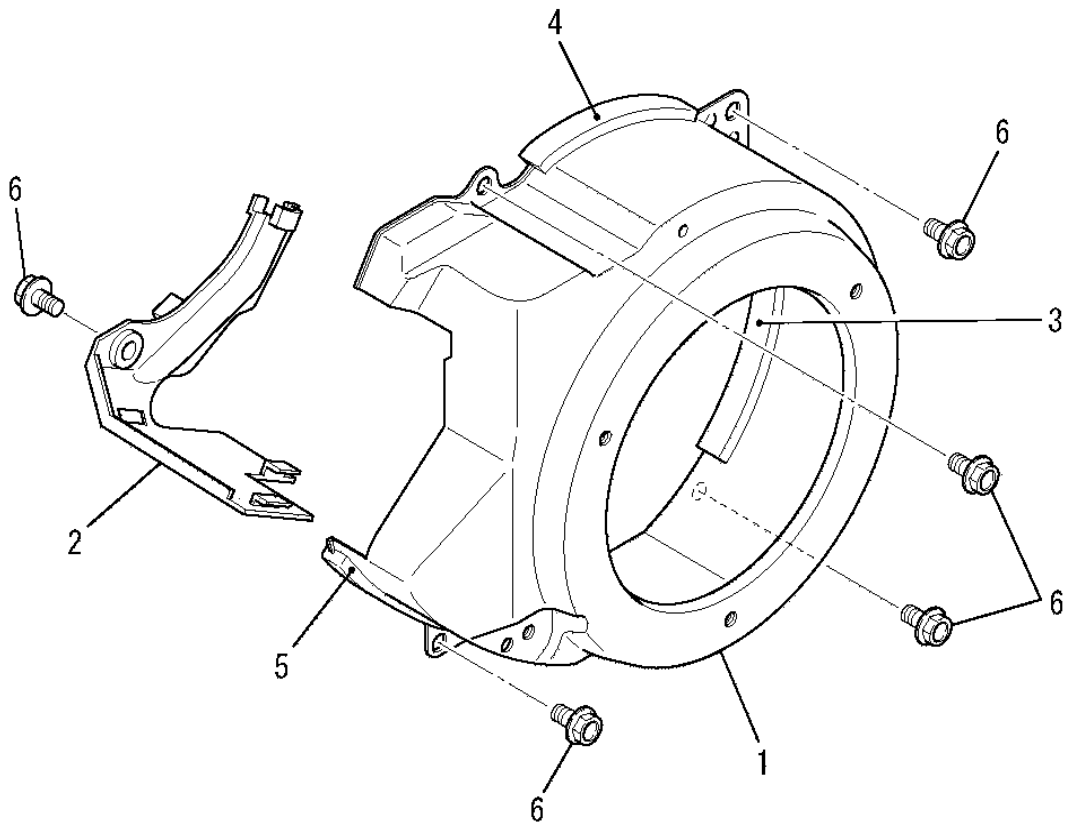
| No. | R/N | Parts No. | Parts Name | No. Req'd | Inte | Remarks | Serial No. (From~To) |
|-----|-----|-------------|--------------------|-----------|------|----------------|----------------------|
| 1 | | KG03045AA | CONTROL PANEL ASSY | 1 | | INCL. NO. 2, 3 | |
| 2 | | KU80023AA | SPRING | 2 | | | |
| 3 | | KU14038BA | SCREW, PAN-CRS | 2 | | L=30mm | |
| 4 | | KG22019AA | SHAFT, GOV | 1 | | | |
| 5 | | KG31026AA | LEVER, GOV | 1 | | INCL. NO. 6, 7 | |
| 6 | | B800B06X020 | BOLT, FLANGE | 1 | | | |
| 7 | | KU23019AA | NUT | 1 | | | |
| 8 | | KG41028AA | ROD, GOV | 1 | | | |
| 9 | | KG42031AA | SPRING, ROD | 1 | | | |
| 10 | | KG90015AA | WASHER | 1 | | | |
| 11 | | KG90016AA | SEAL, DUST | 1 | | | |
| 12 | | KH40099AA | COVER, TOP | 1 | | | |

(J) CONTROL PANEL GROUP



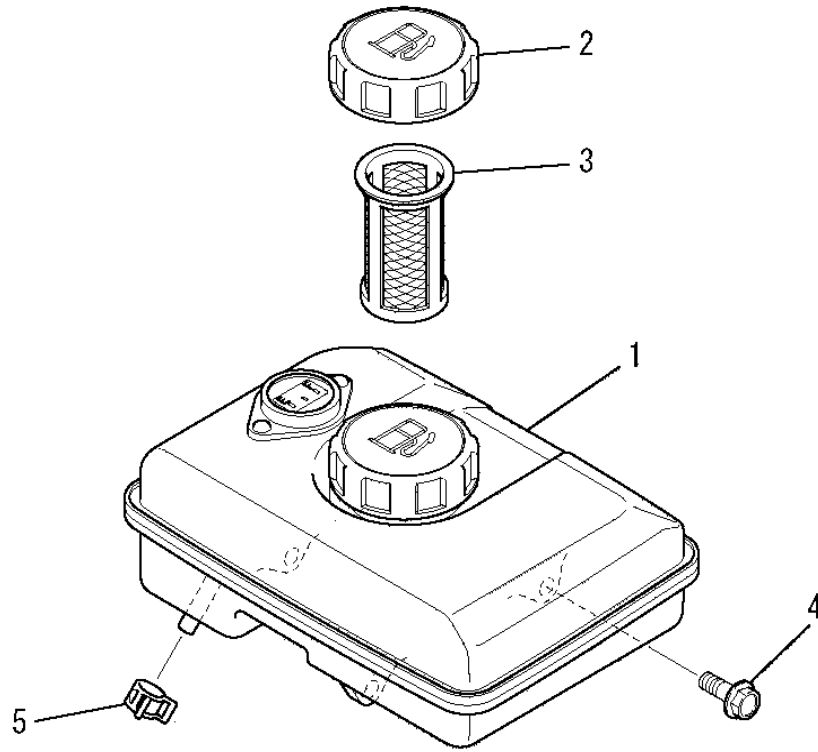
| No. | R/N | Parts No. | Parts Name | No. Req'd | Inte | Remarks | Serial No. (From~To) |
|-----|-----|-------------|--------------|-----------|------|---------|----------------------|
| 13 | | KU70006AA | CLIP | 1 | | | |
| 14 | | B805B06X012 | BOLT, FLANGE | 1 | | | |
| 15 | | B805B06X016 | BOLT, FLANGE | 1 | | | |

(K) FAN COVER GROUP



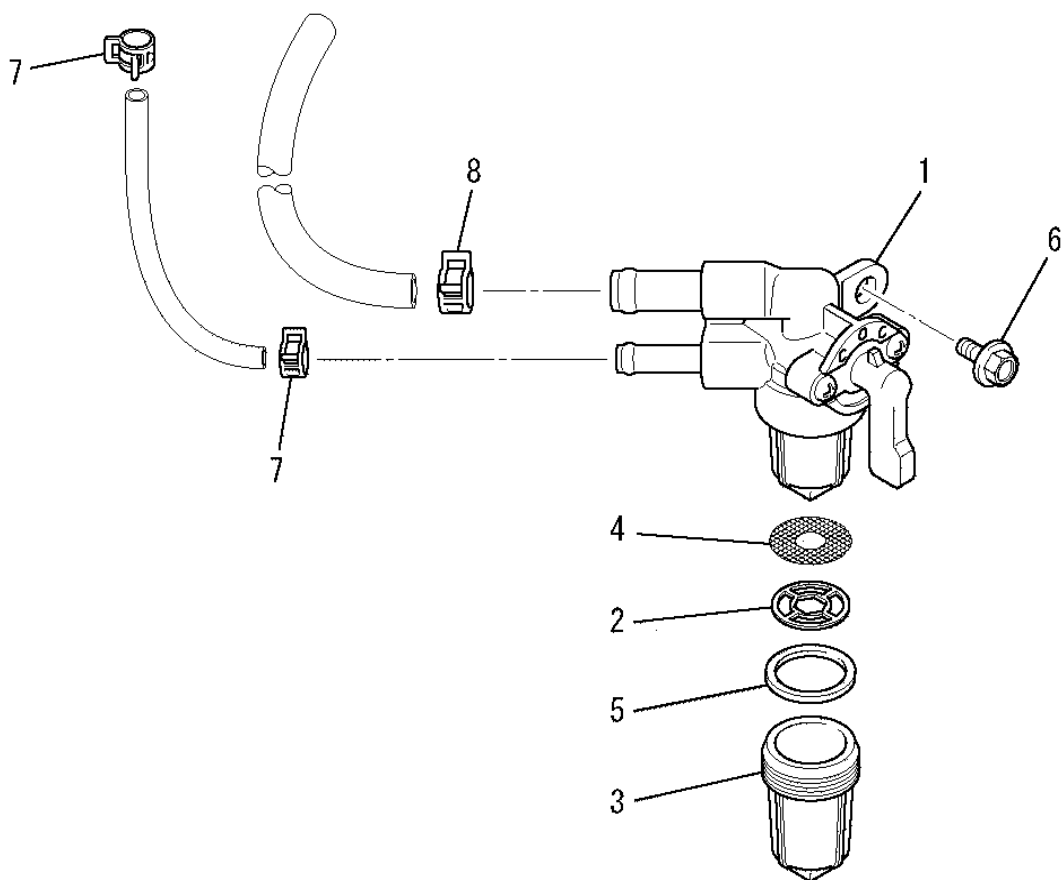
| No. | R/N | Parts No. | Parts Name | No. Req'd | Inte | Remarks | Serial No. (From~To) |
|-----|-----|-------------|-----------------|-----------|------|---------|----------------------|
| 1 | | KH24005AA | COVER, FAN | 1 | | | |
| 2 | | KH40100AA | COVER, CYLINDER | 1 | | | |
| 3 | | KH90075AA | RUBBER CUSHION | 1 | | | |
| 4 | | KH90075BA | RUBBER CUSHION | 1 | | | |
| 5 | | KH90075CA | RUBBER CUSHION | 1 | | | |
| 6 | | B805B06X012 | BOLT, FLANGE | 5 | | | |

(M) TANK GROUP



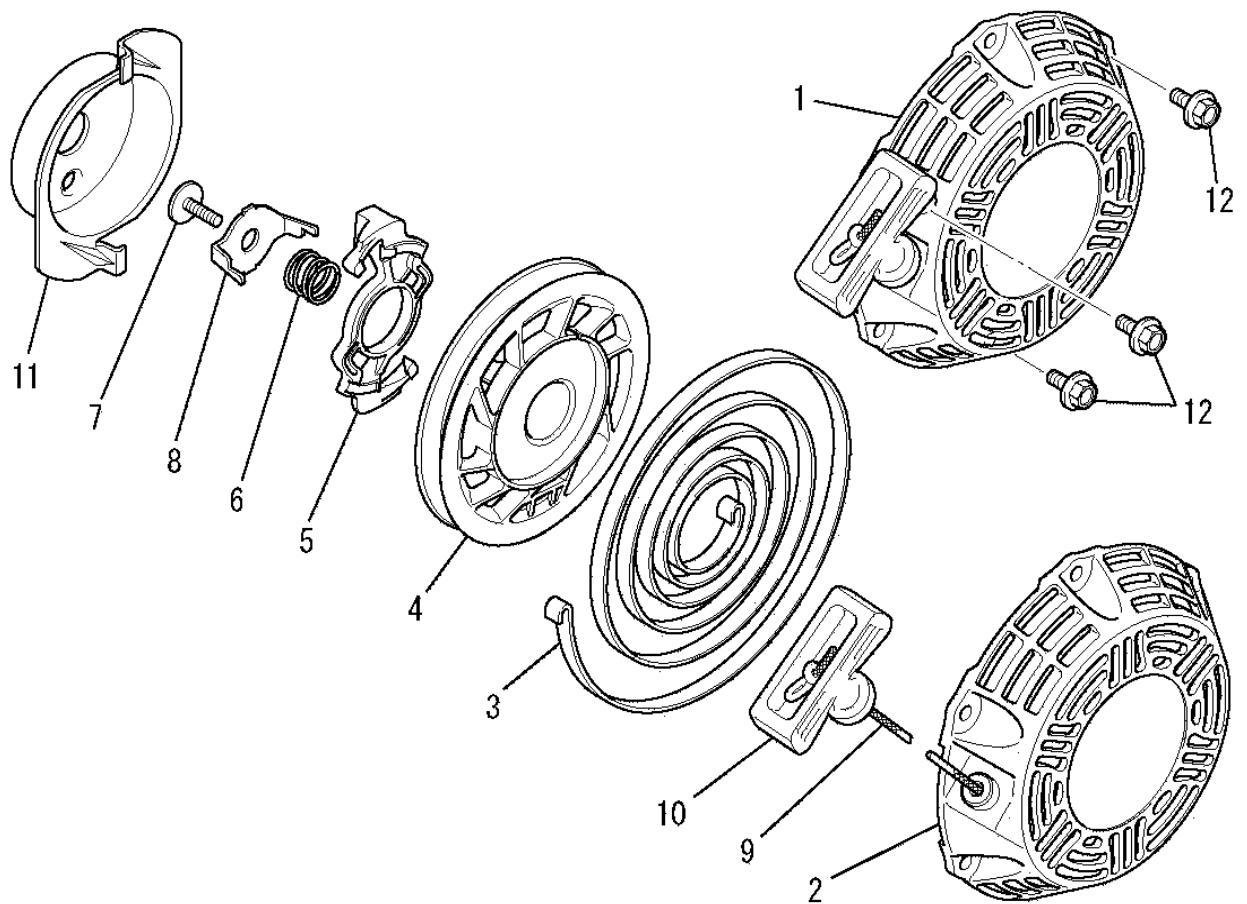
| No. | R/N | Parts No. | Parts Name | No. Req'd | Inte | Remarks | Serial No. (From~To) |
|-----|-----|-------------|----------------|-----------|------|----------------|----------------------|
| 1 | | KF04124BD | FUEL TANK ASSY | 1 | | INCL. NO. 2, 3 | |
| 2 | | KF05021AA | TANK CAP ASSY | 1 | | | |
| 3 | | KF40003AA | FILTER, FUEL | 1 | | | |
| 4 | | B805B06X020 | BOLT, FLANGE | 3 | | | |
| 5 | | FR67419 | CLIP | 1 | | | |

(N) COCK GROUP



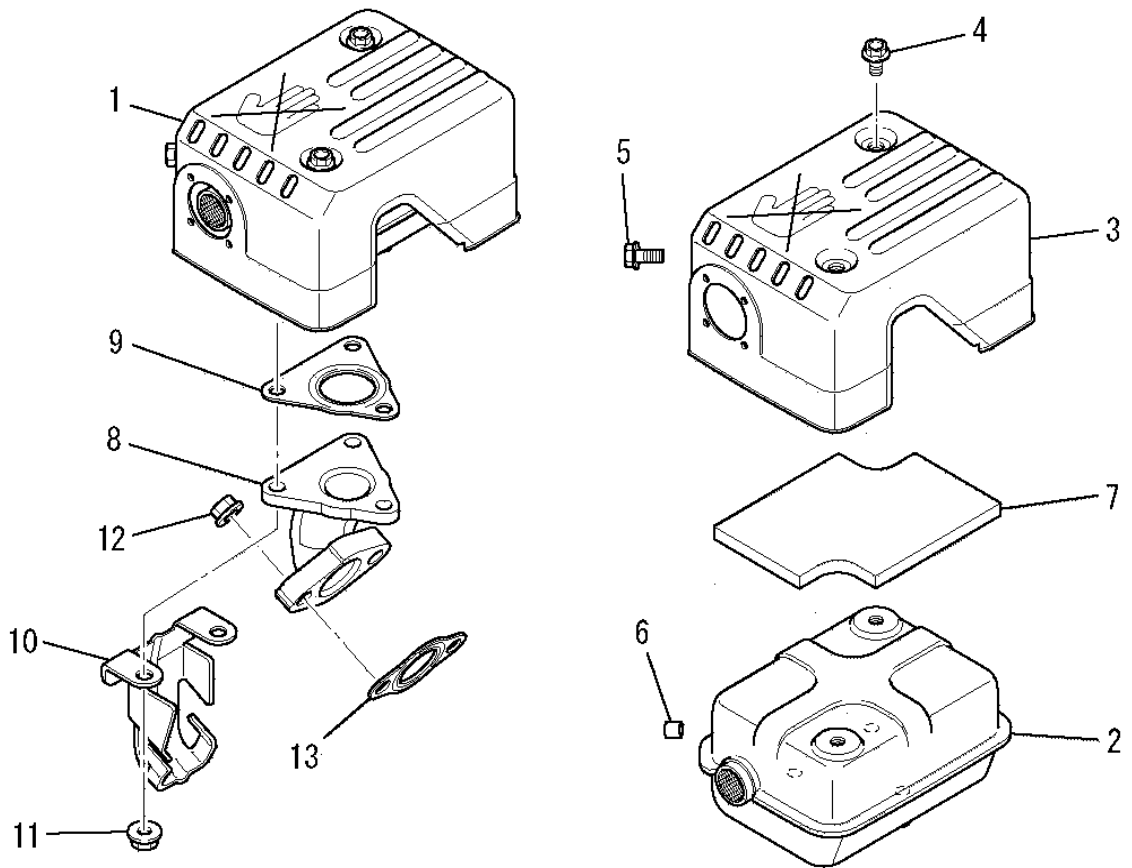
| No. | R/N | Parts No. | Parts Name | No. Req'd | Inte | Remarks | Serial No. (From~To) |
|-----|-----|--------------|--------------|-----------|------|---------------|----------------------|
| 1 | | KF31037AA | COCK, FUEL | 1 | | INCL. NO. 2-5 | |
| 2 | | KF31035AA012 | PACKING | 1 | | | |
| 3 | | KF31036AA106 | CUP | 1 | | | |
| 4 | | KF31035AA003 | FILTER, FUEL | 1 | | | |
| 5 | | KF31035AA102 | PACKING | 1 | | | |
| 6 | | B800A06X012 | BOLT, FLANGE | 1 | | | |
| 7 | | FR53226 | CLIP | 2 | | | |
| 8 | | FR67419 | CLIP | 1 | | | |

(R) RECOIL STARTER GROUP



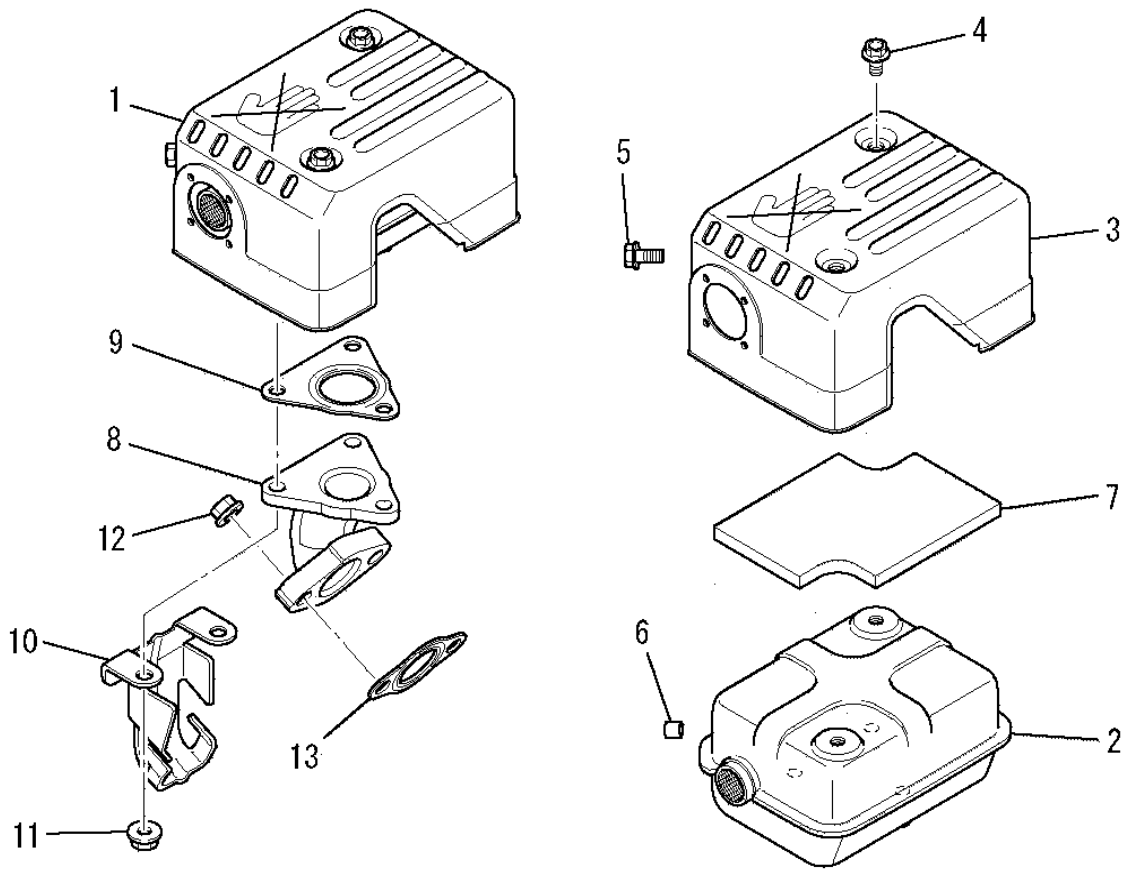
| No. | R/N | Parts No. | Parts Name | No. Req'd | Inte | Remarks | Serial No. (From~To) |
|-----|-----|--------------|---------------------|-----------|------|----------------|----------------------|
| 1 | | KS02103AD | RECOIL STARTER ASSY | 1 | | INCL. NO. 2-11 | |
| 2 | | KS20127AD001 | CASE, STARTER | 1 | | | |
| 3 | | KS20080AD002 | SPRING, SPIRAL | 1 | | | |
| 4 | | KS20080BD003 | REEL | 1 | | | |
| 5 | | KS20080AD004 | GUIDE | 1 | | | |
| 6 | | KS20080AD005 | SPRING, BRAKE | 1 | | | |
| 7 | | KS20080AD006 | SCREW | 1 | | | |
| 8 | | KS20080AD007 | RETAINER | 1 | | | |
| 9 | | KS20080AD009 | ROPE | 1 | | | |
| 10 | | KS20080AD010 | HANDLE | 1 | | | |
| 11 | | KS30039CA | PULLEY, STARTER | 1 | | | |
| 12 | | B800A06X010K | BOLT, FLANGE | 3 | | | |

(S) MUFFLER GROUP



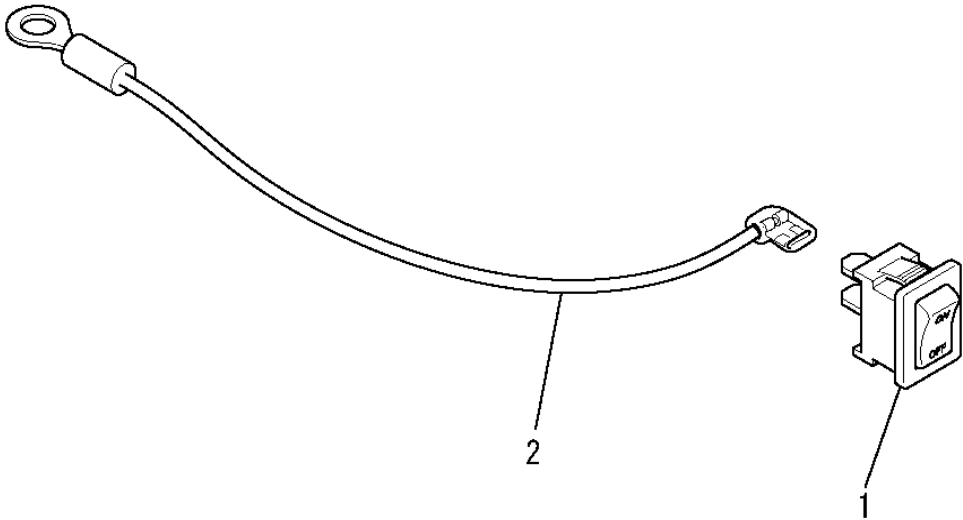
| No. | R/N | Parts No. | Parts Name | No. Req'd | Inte | Remarks | Serial No. (From~To) |
|-----|-----|--------------|------------------|-----------|------|---------------|----------------------|
| 1 | | KM02144BA | MUFFLER ASSY | 1 | | INCL. NO. 2-7 | |
| 2 | | KM15098AA | MUFFLER | 1 | | | |
| 3 | | KM25077AA | COVER, MUFFLER | 1 | | | |
| 4 | | B800A06X008K | BOLT, FLANGE | 2 | | | |
| 5 | | B800A06X016K | BOLT, FLANGE | 1 | | | |
| 6 | | KU50007JA | BUSH | 1 | | | |
| 7 | | KM90187AA | GLASS WOOL | 1 | | | |
| 8 | | KM30027AA | PIPE, EXHAUST | 1 | | | |
| 9 | | KM70064AA | GASKET, MUFFLER | 1 | | | |
| 10 | | KM90182AA | COVER | 1 | | | |
| 11 | | N801A06 | NUT, FLANGE | 3 | | | |
| 12 | | ZZ70028C | NUT, CONICAL SPG | 2 | | | |

(S) MUFFLER GROUP



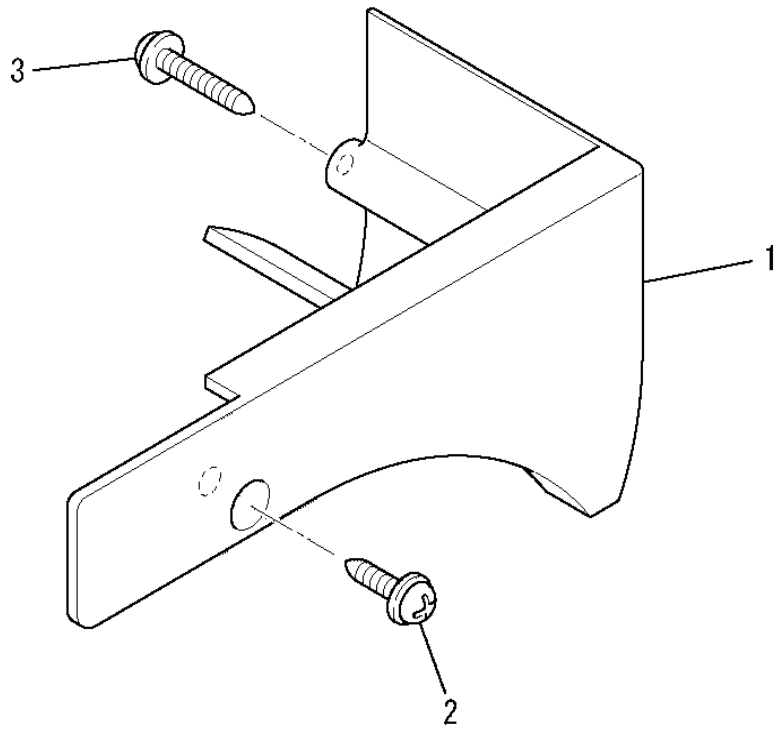
| No. | R/N | Parts No. | Parts Name | No. Req'd | Inte | Remarks | Serial No. (From~To) |
|-----|-----|-----------|-----------------|-----------|------|---------|----------------------|
| 13 | | KM70040AA | GASKET, MUFFLER | 1 | | | |

(U) SWITCH GROUP



| No. | R/N | Parts No. | Parts Name | No. Req'd | Inte | Remarks | Serial No. (From~To) |
|-----|-----|-----------|--------------|-----------|------|---------|----------------------|
| 1 | | KE80021AA | SWITCH, STOP | 1 | | | |
| 2 | | KE90190AA | WIRE, LEAD | 1 | | | |

(X) COVER GROUP



| No. | R/N | Parts No. | Parts Name | No. Req'd | Inte | Remarks | Serial No. (From~To) |
|-----|-----|-----------|--------------|-----------|------|---------|----------------------|
| 1 | | KR40038AA | COVER, FRONT | 1 | | | |
| 2 | | KU12025AA | TAP-SCREW | 1 | | L=10mm | |
| 3 | | KU12025CA | TAP-SCREW | 1 | | L=25mm | |